

# Rear Quarter Trim

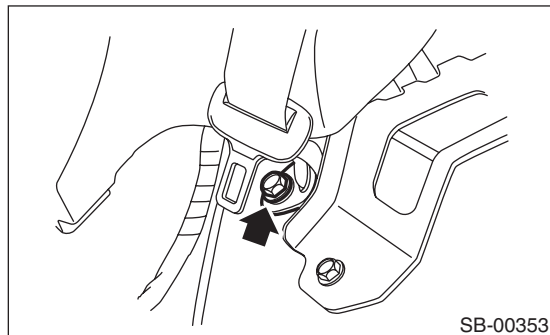
EXTERIOR/INTERIOR TRIM

## 22.Rear Quarter Trim

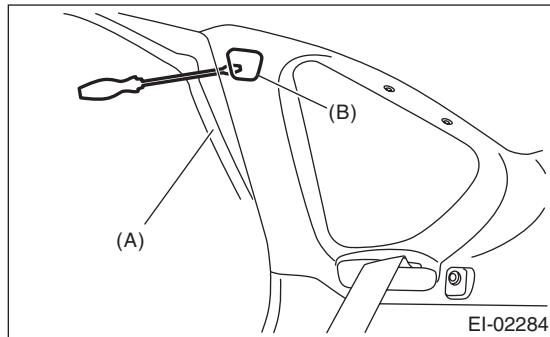
### A: REMOVAL

#### 1. 5 DOOR MODEL

- 1) Remove the rear seat. <Ref. to SE-13, REMOVAL, Rear Seat.>
- 2) Remove the seat belt lower anchor bolt.



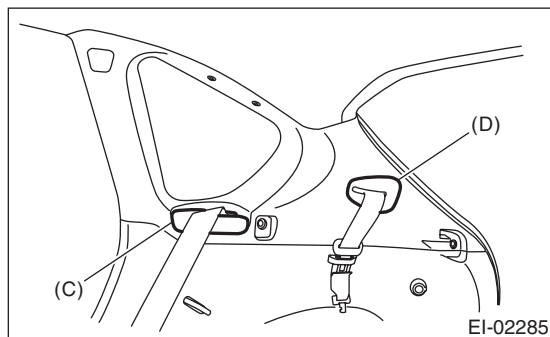
- 3) Remove the cap (B) on the upper side of the rear quarter pillar front trim, and remove the bolt inside.



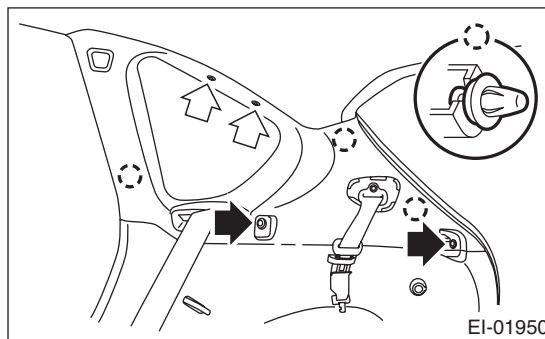
#### NOTE:

Remove the molding (A), and remove the cap from the backside of pillar trim not to damage the trim.

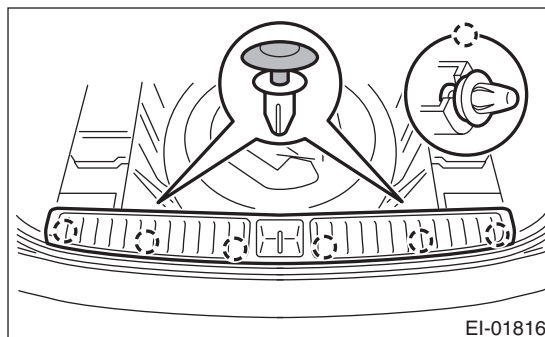
- 4) Remove the side belt cover (C).
- 5) Remove center belt cover (D), and remove the anchor bolt inside.



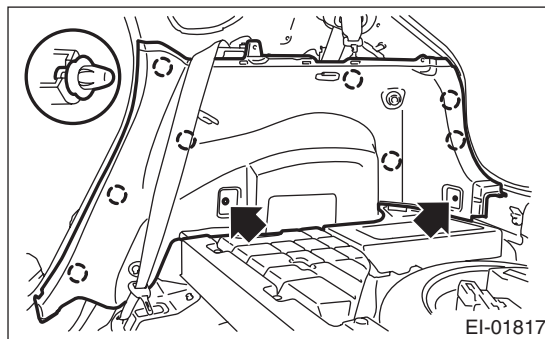
- 6) Remove the clips and screws, and remove the rear quarter upper trim.



- 7) Remove the luggage floor end cover.



- 8) Remove the bolts, and remove the rear quarter lower trim.

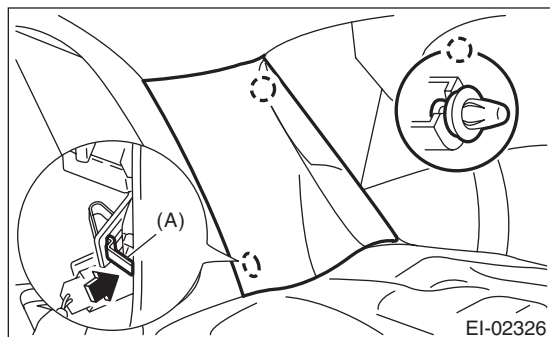


## 2. 4 DOOR MODEL

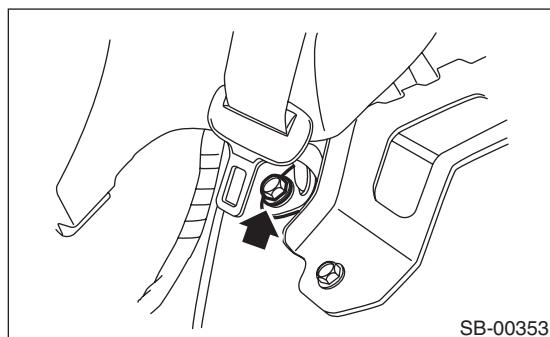
- 1) Remove the rear seat. <Ref. to SE-13, REMOVAL, Rear Seat.>
- 2) Remove the inside scuff plate. <Ref. to EI-57, REMOVAL, Lower Inner Trim.>
- 3) Peel the trim, and use a screwdriver, etc. to press claw (A) of the metal clip, to remove the quarter upper trim.

### CAUTION:

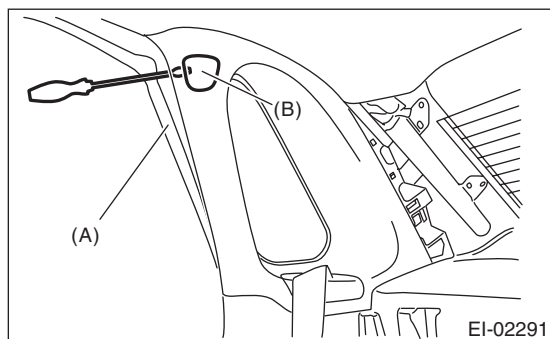
If the metal clip comes off or becomes damaged, replace both the quarter upper trim rear and metal clips.



- 4) Remove the seat belt lower anchor bolt.



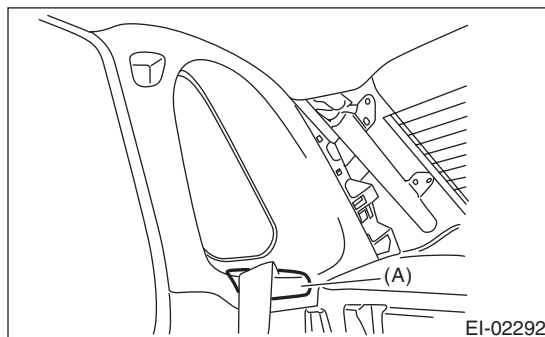
- 5) Remove the cap (B) on the upper side of the rear quarter trim, and remove the bolt inside.



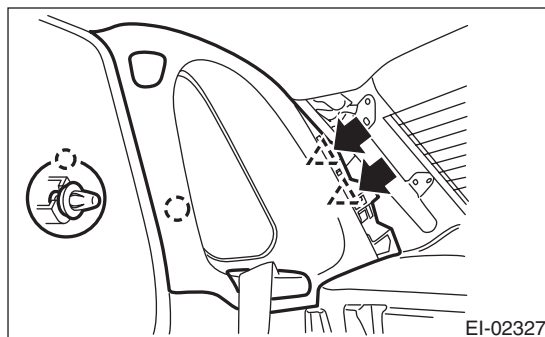
### NOTE:

Remove the molding (A), and remove the cap from the backside of pillar trim not to damage the trim.

- 6) Remove side belt cover (A).



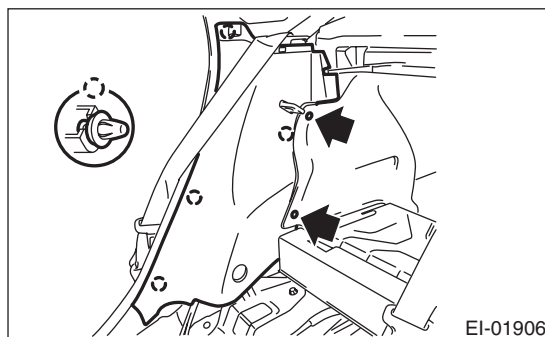
- 7) Remove the bolts and clips, and remove the quarter upper trim front.



- 8) Remove the rear seat. <Ref. to SE-13, REMOVAL, Rear Seat.>

- 9) Remove the clip of the trunk room side trim.

- 10) Remove the clips, then remove the quarter lower trim.



## B: INSTALLATION

Install each part in the reverse order of removal.

### Tightening torque

Refer to "COMPONENT" of "General Description".

Rear quarter upper trim: <Ref. to EI-21, INNER TRIM (5 DOOR MODEL), COMPONENT, General Description.>

Seat belt anchor: <Ref. to SB-3, REAR SEAT BELT, COMPONENT, General Description.>